

Impact DC Smart Series Installation Guide

Thanks for choosing our Impact DC Smart Series ceiling fan.
We strongly recommend that you read this manual carefully before installation.



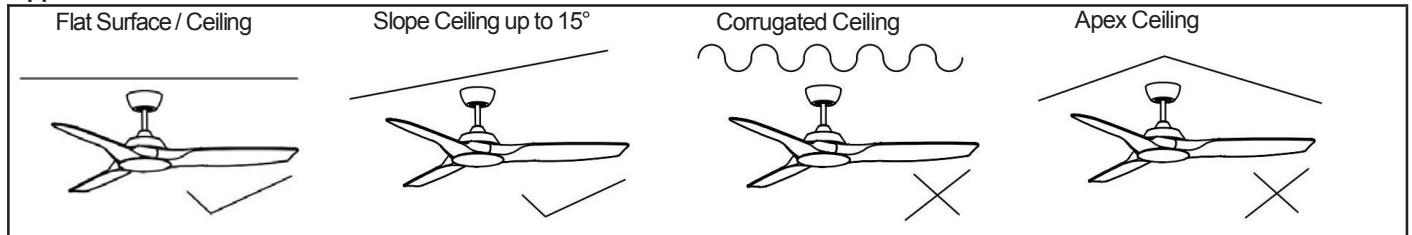
Models Parameters (Fan Only):

MIDC133 W	Impact DC 1320mm 3 ABS Blade WIFI & Remote Control Ceiling Fan Only Matt White
MIDC133 M	Impact DC 1320mm 3 ABS Blade WIFI & Remote Control Ceiling Fan Only Matt Black
MIDC133 M WN	Impact DC 1320mm 3 ABS Blade WIFI & Remote Control Ceiling Fan Only Matt Black/Walnut

Part List:

Qty 1x Motor assembly	Qty 1x Instruction manual	Qty 1x Screw kit	Qty 1x Bottom cover
Qty 1x Mounting bracket	Qty 1x Ball/downrod assembly	Qty 3x Blades	
Qty 1x Canopy	Qty 1x Decorative motor collar cover	Qty 1x Remote & Receiver	

Application



How to Assemble

Fg.1

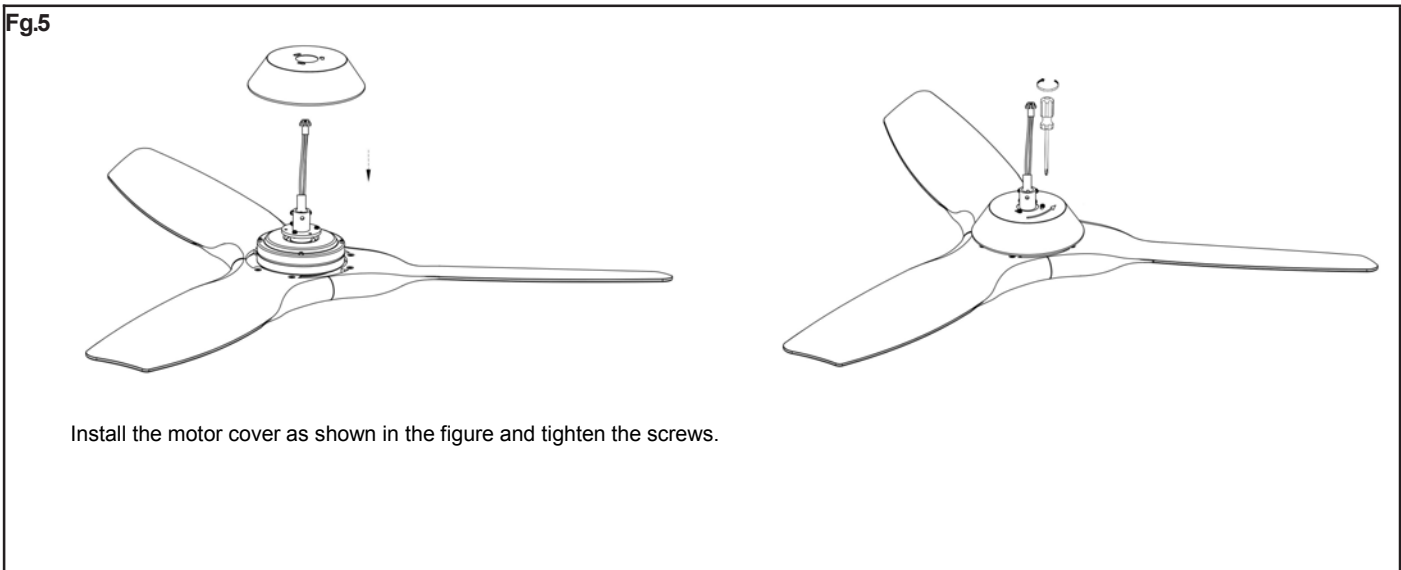
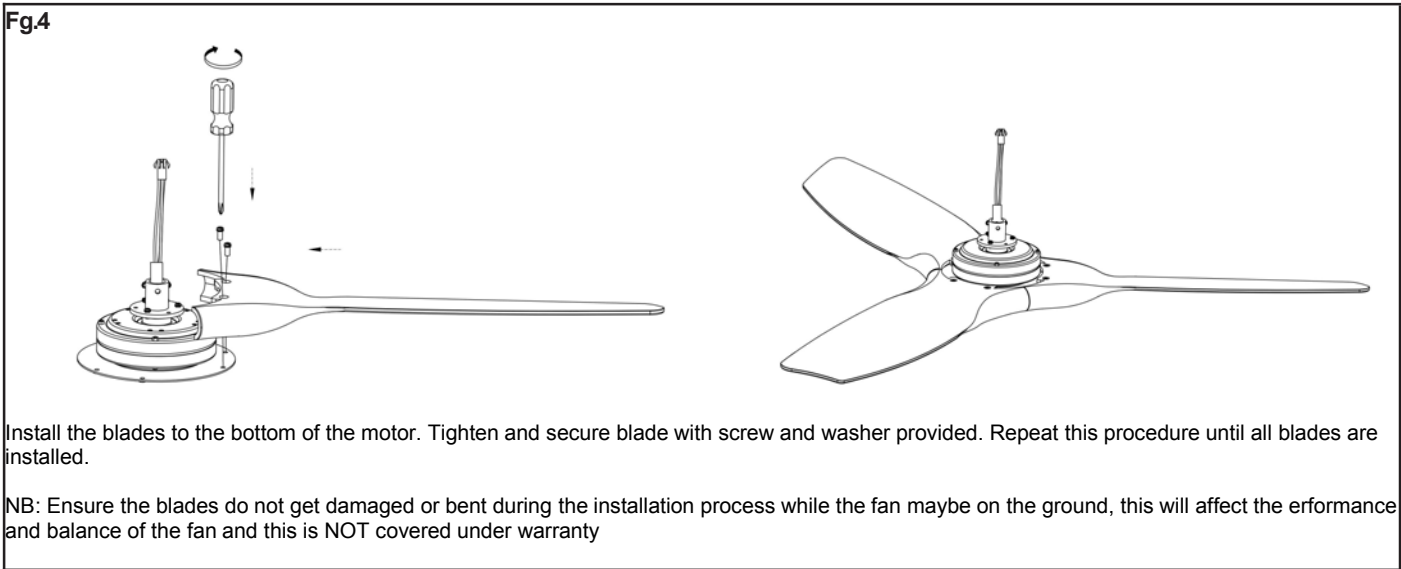
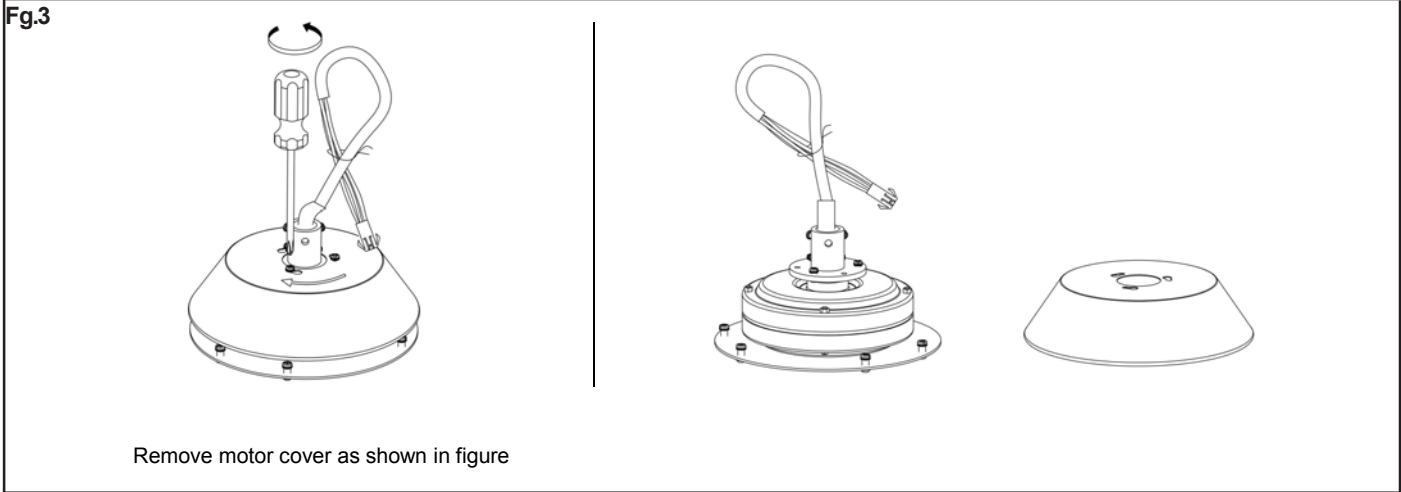
Secure the bracket to the ceiling using screws and provided. Ensure screws are tightened on the bracket.

Fg.2

Wire to main as illustrated.

WARNING Installation MUST carry out by a qualified and licensed electrician.

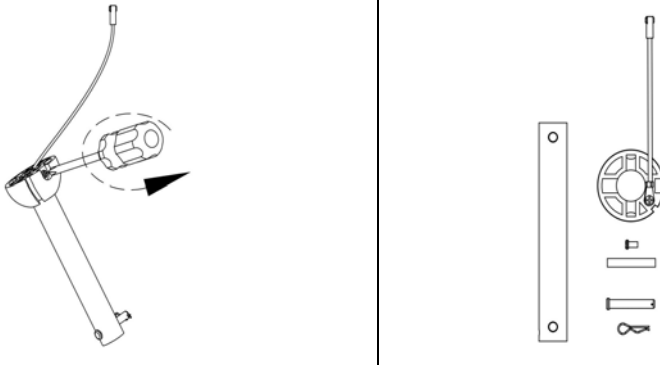
How to Install Blades



WARNING Installation MUST carry out by a qualified and licensed electrician.

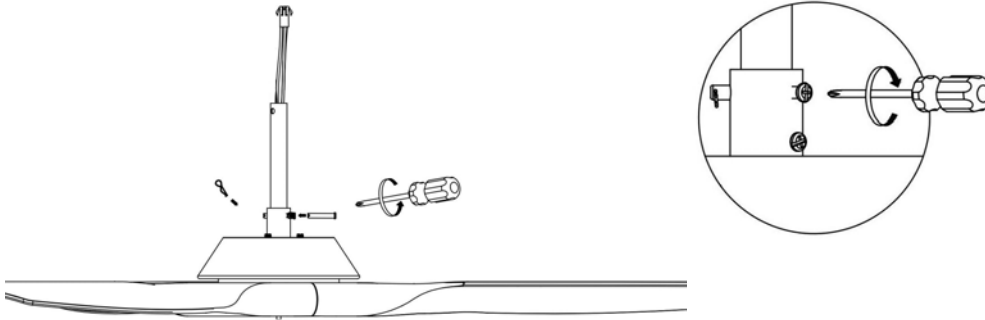
How to Install Down rod

Fg.6



Remove ball/downrod assembly as shown in figure

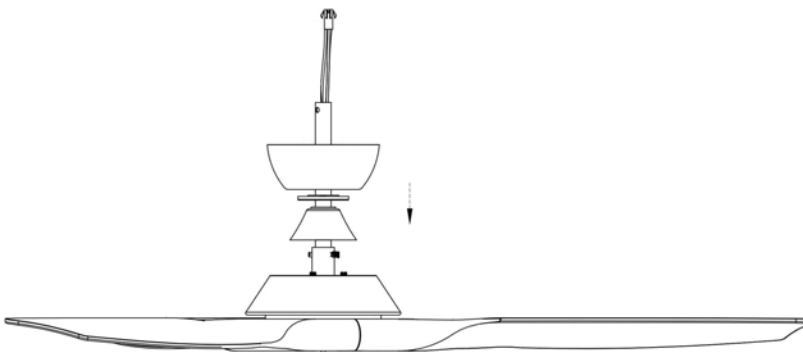
Fg.7



Pass the wires through the down rod and reinsert the pin and clevis, tighten the screw holding the down rod in place.

NB: tighten the screw holding the down rod in place.

Fg.8

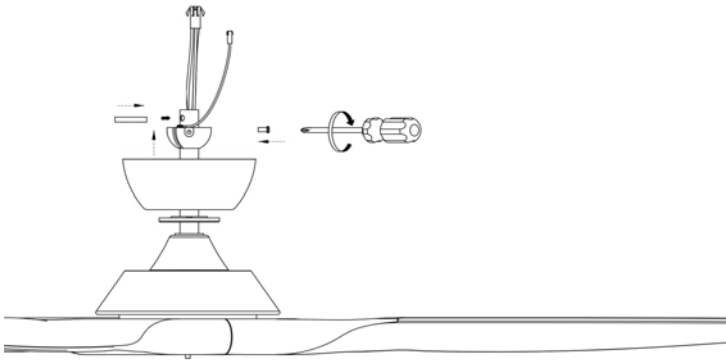


Put the Decorative motor collar cover and canopy through the down rod

WARNING Installation MUST carry out by a qualified and licensed electrician.

How to Install Alloy ball

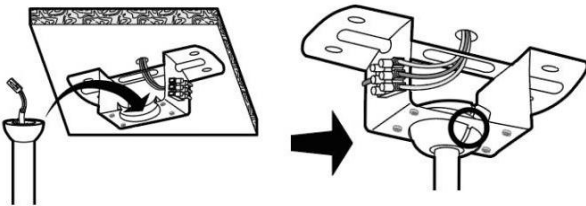
Fg.9



As shown in the figure reinsert the alloy ball, pin on the down rod and tighten the screw

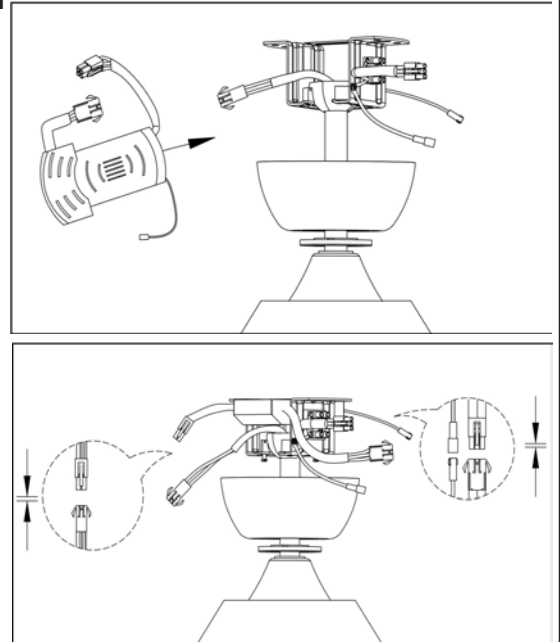
NB: And tighten the screw

Fg.10



Place fan into hanger bracket and align ball joint slot with hanger bracket as illustrated.

Fg.11



Wire up the receiver with quick connectors and insert into the mounting bracket. Please make sure the antenna wire has been safely folded inside the canopy cover before final assembly (DO NOT cut the antenna wire)

Important Reminders

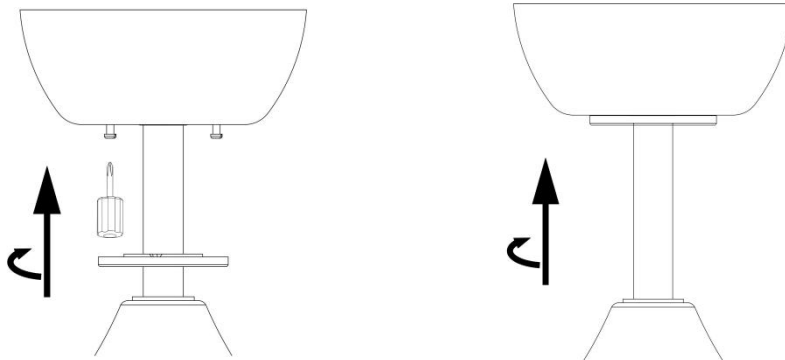
Receiver must be correctly installed in the mounting bracket
When the transmitter cannot control the receiver, please check

- i) has sufficient battery in the transmitter
- ii) any existence of similar remote controlled products nearby that cause interference
Replace battery if getting low as this will affect sensitivity of the transmitter
Take the battery out from the transmitter when leaving used for a long time to avoid battery leaks
Isolation switch MUST be connected in the line

WARNING Installation MUST carry out by a qualified and licensed electrician.

How to Install Canopy

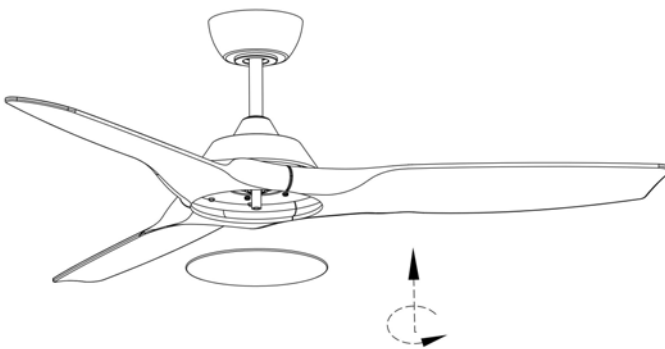
Fg.12



After wiring is completed, attach the canopy to the hanger bracket by pushing upwards and twisting anti-clockwise. Tighten screws and ensure canopy is not touching the ball joint.

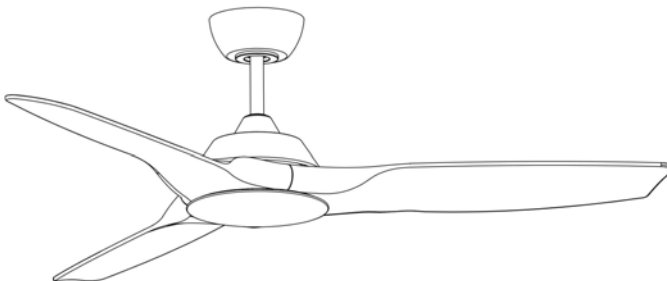
How to Install Boteom cap

Fg.13



Install the shade cover as illustrated.

Fg.14

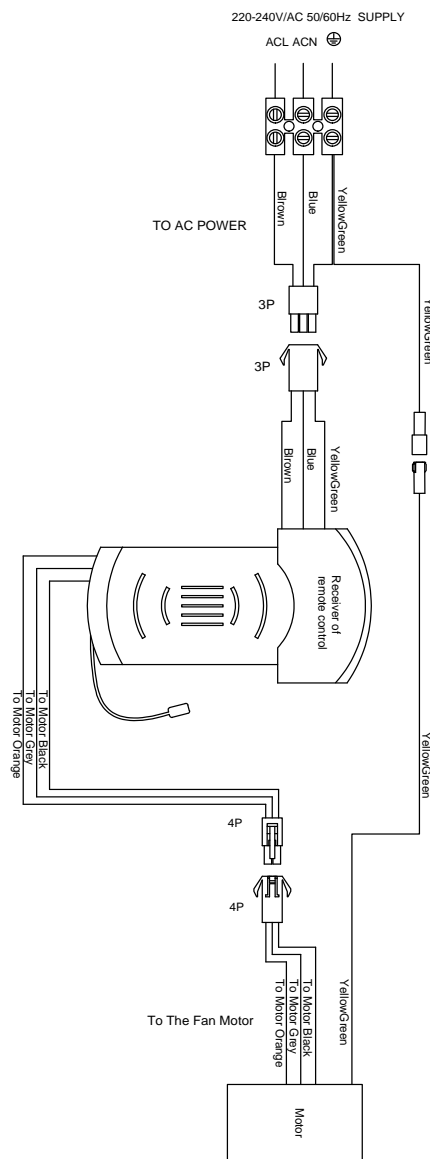


The installation is finished.

WARNING Installation MUST carry out by a qualified and licensed electrician.

Wire Connections

Fan Only Model



6* Year Warranty
(3 Year In-Home + additional 3 Year Replacement on the motor only)

For further information please visit our website (link below) OR scan the QR code

<https://www.martecaustralia.com.au/warranty-statement/>



WARNING

- Installation of fans **MUST** follow SAA standards and meet local authority regulations.
- Installation **MUST** be carried out by a qualified and licensed electrician.
- Fan and light **MUST** be earthed.
- Bracket **MUST** be firmly attached to a flat solid structure or timber frame.
- **DO NOT** mix blades from one model to another, all blades **MUST** be replaced if damaged.
- The warranty is **VOID** if product is not installed according to this installation guide.



WARNING Installation MUST carry out by a qualified and licensed electrician.

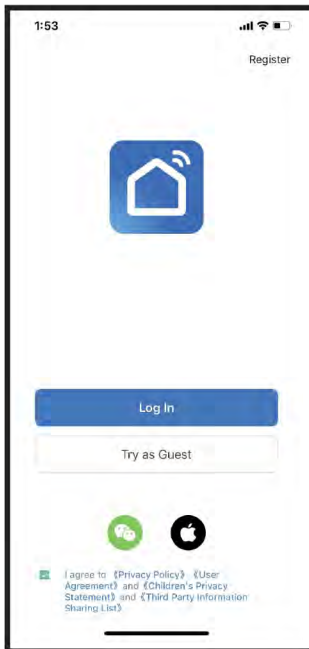
Smart Life matching process, please follow the steps:

1. Download the "Smart Life" APP on your smart devices by scanning the QR code below with camera.



2. Turn on WiFi and Bluetooth on your smart devices. Ensure it's connected to a 2.4GHZ WiFi.

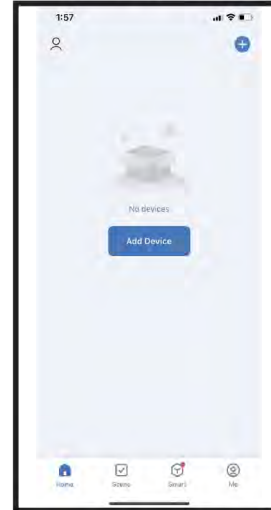
3. Open the APP, follow the steps to register new user account or login existing account.



4. Follow instructions in main manual (steps can also be found on the back of the remote) to put the fan into WiFi pairing mode. If the operation is successful, go to step 6. If the fan has previously been paired or you can't get it to work, please go to step 5 to RESET the fan.

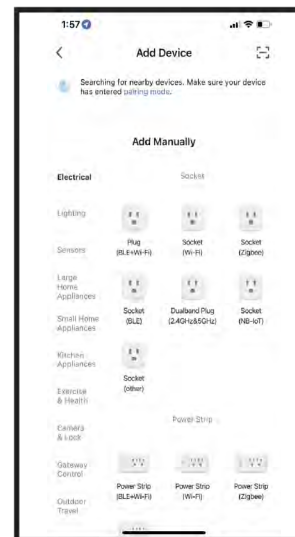
5. RESET the fan. This step is NOT necessary if the fan has successfully entered WiFi pairing mode in the last step, if not, try to RESET the fan: turn on the fan, power off after 10 seconds, power on again after 15 seconds, long press "Fan Stop" for 5 seconds, if "beep beep" are heard, the reset is successful. If "beep beep" is not heard, the reset is failed, please repeat this step.

6. Once the fan has entered WiFi pairing mode, open the APP again on the smart device. Click "Add Device" in the middle or the "+" on the top right of the screen.



7. The auto scan should begin automatically, and the fan should show up at the top of screen within a few seconds.

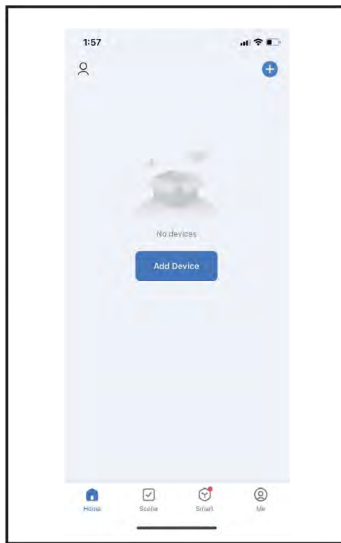
Note: If the fan is not showing up, you can add it manually by clicking and navigate to: >Add Manually >Small Home Appliance > Fan



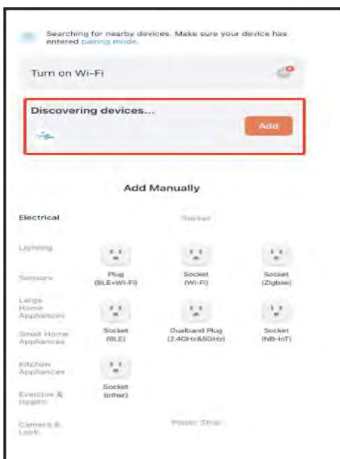
WARNING Installation MUST carry out by a qualified and licensed electrician.

8. Follow instructions in the APP to finish the set up.

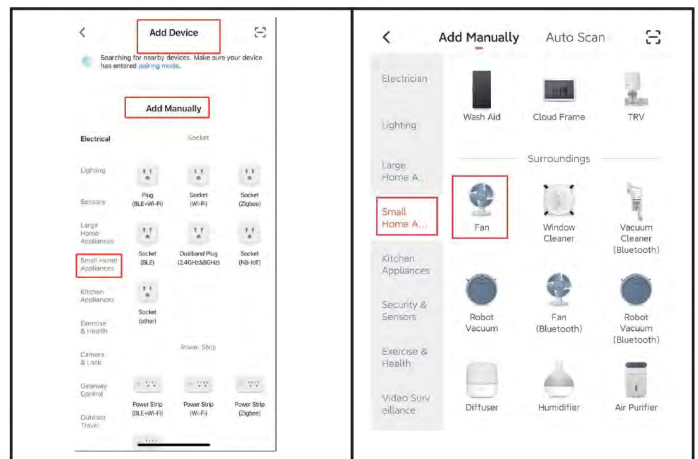
①



② Automatic Search



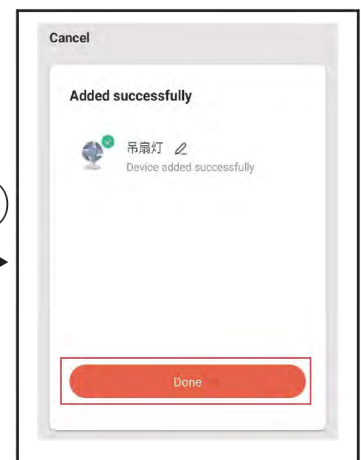
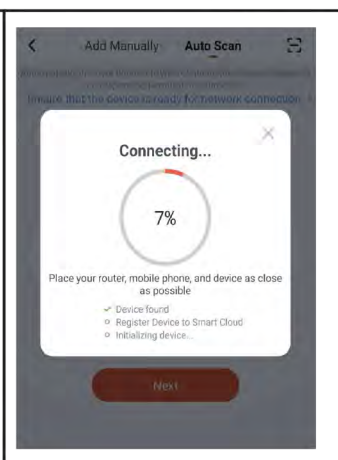
② Manually Add



③



④




WARNING Installation MUST carry out by a qualified and licensed electrician.

WiFi / Remote Control Pairing


Fan only model

Pairing the remote control


1. Turn on the ceiling fan.
2. Within the first 20 seconds, continue pressing the  button until you hear a "beep" sound. ie. It is paired.


If you don't hear a "beep" sound, repeat step 1 and step 2 again.

Entering WiFi Pairing mode:

1. Turn on the power.
2. Within the first 20 seconds, press and hold the  button until a "beep" is heard.
3. Continue step connect on your smart devices to complete the pairing.

If you don't hear a "beep" sound, repeat the above steps.

FAN OFF  : to switch off the fan.


SLEEP MODE  : Turn on the fan at an extra lower speed to create a general breeze.

SPEED BUTTON: 1 = lowest speed. 6 = highest speed.

NATURAL WIND MODE  : designed for the elderly and children. 1-6 speed changes randomly to feel the breeze.

FORWARD AND REVERSAL  : summer/winter reverse mode.


TIMER 1H/4H/8H: preset timer for fan and light to stop automatically. ie. if timer set at 1H and then press 4H, fan will stop at 4H. Setting default to last press.

WiFi BUTTON  : Follow the instructions and press and hold for 20 seconds to enter wifi matching mode.




Fan LED Light Model

Pairing the remote control

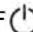
1. Turn on the ceiling fan.
2. Within the first 20 seconds, continue pressing the  button until you hear a "beep" sound. ie. It is paired.


If you don't hear a "beep" sound, repeat step 1 and step 2 again.

Entering WiFi Pairing mode:

1. Turn on the power.
2. Within the first 20 seconds, press and hold the  button until a "beep" is heard.
3. Continue step connect on your smart devices to complete the pairing.

If you don't hear a "beep" sound, repeat the above steps.

FAN OFF  : to switch off the fan.


SLEEP MODE  : Turn on the fan at an extra lower speed to create a general breeze.

SPEED BUTTON: 1 = lowest speed. 6 = highest speed.

NATURAL WIND MODE  : designed for the elderly and children. 1-6 speed changes randomly to feel the breeze.

FORWARD AND REVERSAL  : summer/winter reverse mode.

TIMER 1H/4H/8H: preset timer for fan and light to stop automatically. ie. if timer set at 1H and then press 4H, fan will stop at 4H. Setting default to last press.

LIGHT ON/OFF  : to switch off the light.

CCT : warm white (2700K) / natural white (4000K) / cool white (6500K)

LED- LED+ : minus "-" = reduces brightness
plus "+" = increases brightness



6* Year Warranty
(3 Year In-Home + additional 3 Year Replacement on the motor only)

For further information please visit our website (link below) OR scan the QR code

<https://www.martecaustralia.com.au/warranty-statement/>



WARNING

- Installation of fans **MUST** follow SAA standards and meet local authority regulations.
- Installation **MUST** be carried out by a qualified and licensed electrician.
- Fan and light **MUST** be earthed.
- Bracket **MUST** be firmly attached to a flat solid structure or timber frame.
- **DO NOT** mix blades from one model to another, all blades **MUST** be replaced if damaged.
- The warranty is **VOID** if product is not installed according to this installation guide.

